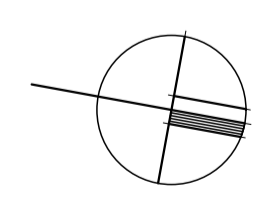
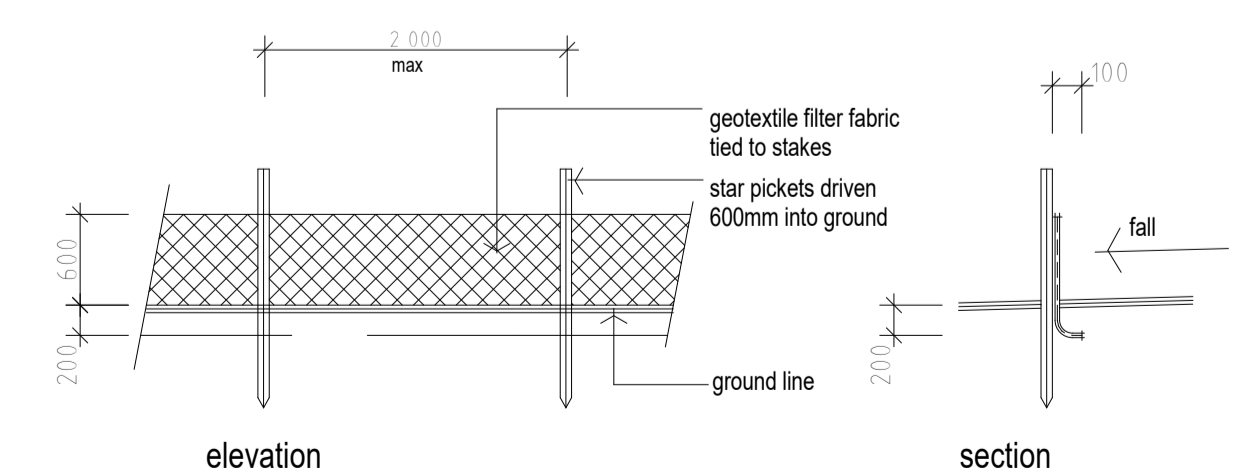


Site Plan
1:100



DATA	
FLOOR AREA CALCULATIONS	
SITE AREA:	725 m ²
GROUND FLOOR GFA:	178.93 m ²
LEVEL 1 FLOOR GFA:	200.89 m ²
TOTAL GFA:	379.82 m ²
TOTAL FSR:	0.524:1



elevation
Sediment Control Detail
1:50

- this drawing is copyright and the property of the author, and must not be retained, copied or used without the authority of brian longbottom design
- larger scale drawings and written dimensions take preference.
- do not scale from drawing
- all dimensions to be checked on site before commencement of work.
- all discrepancies to be brought to the attention of the author.

Notes

A	issue to consultants	bl	sept,18
issue details		by	date
amendments			

project
Proposed Boarding House

location
Lot 1 D.P.519681 + Lots 2-4 D.P.10171,
32-38 Judd Street
OATLEY

client
Watsong Pty Ltd

drawing title
Site Plan

date	checked	project arch.	drawn
11.09.18		bl	bl
scale	no	issue	
1:200	1828	ap01	A

