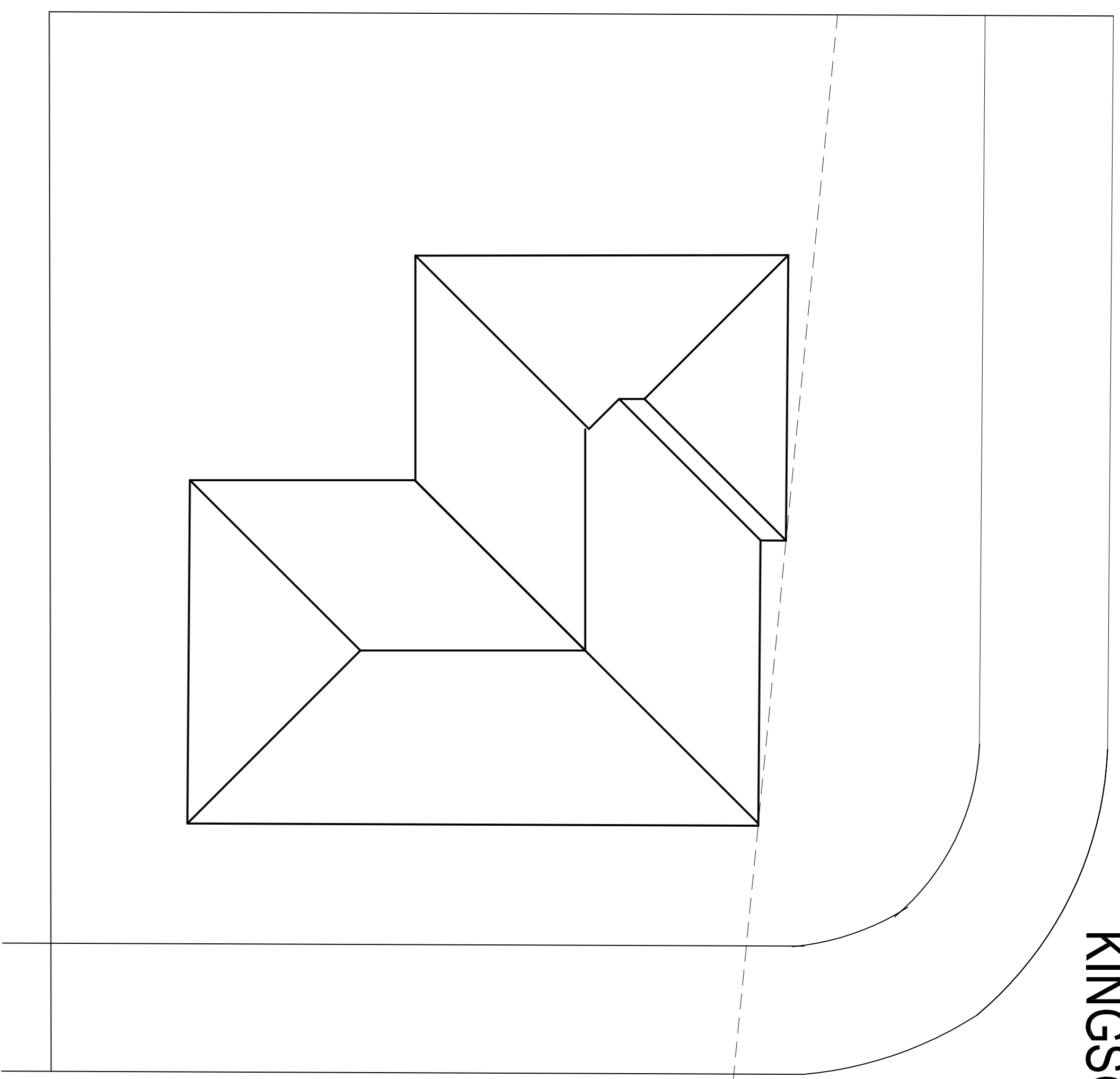
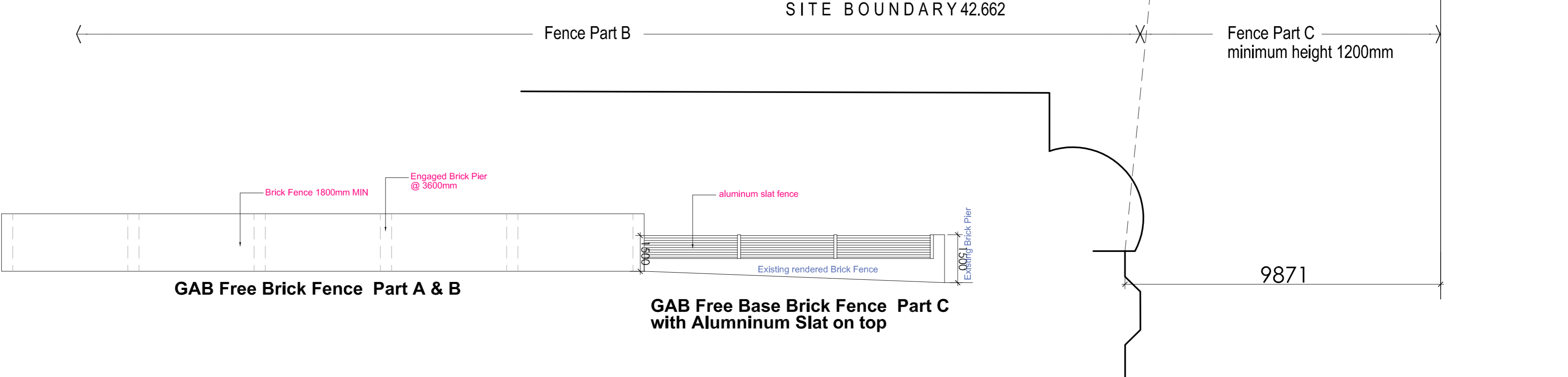
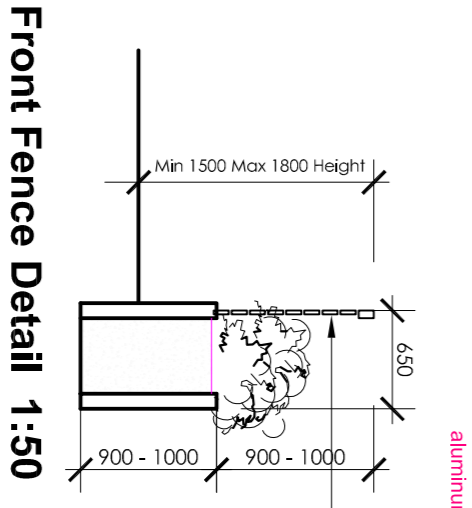
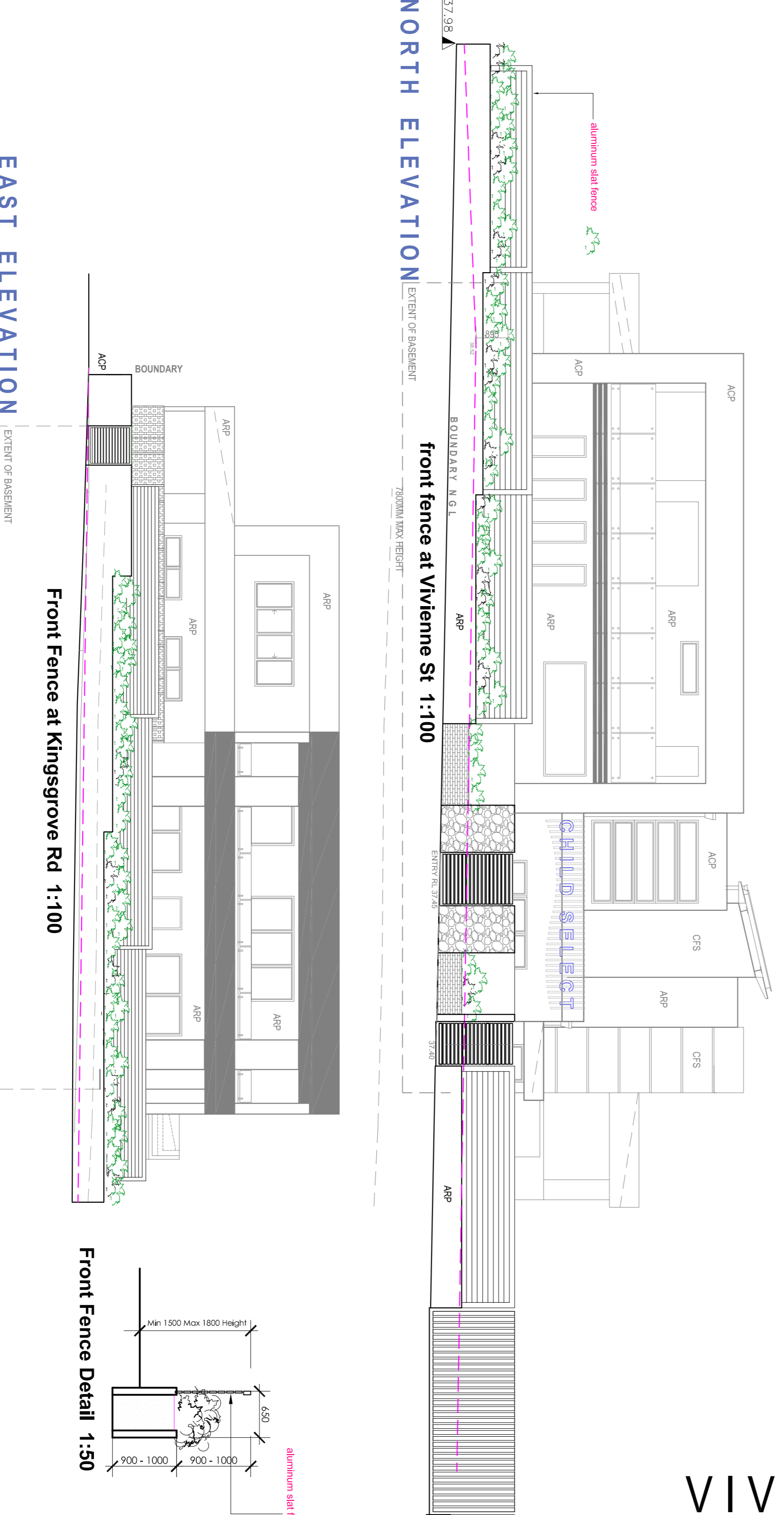
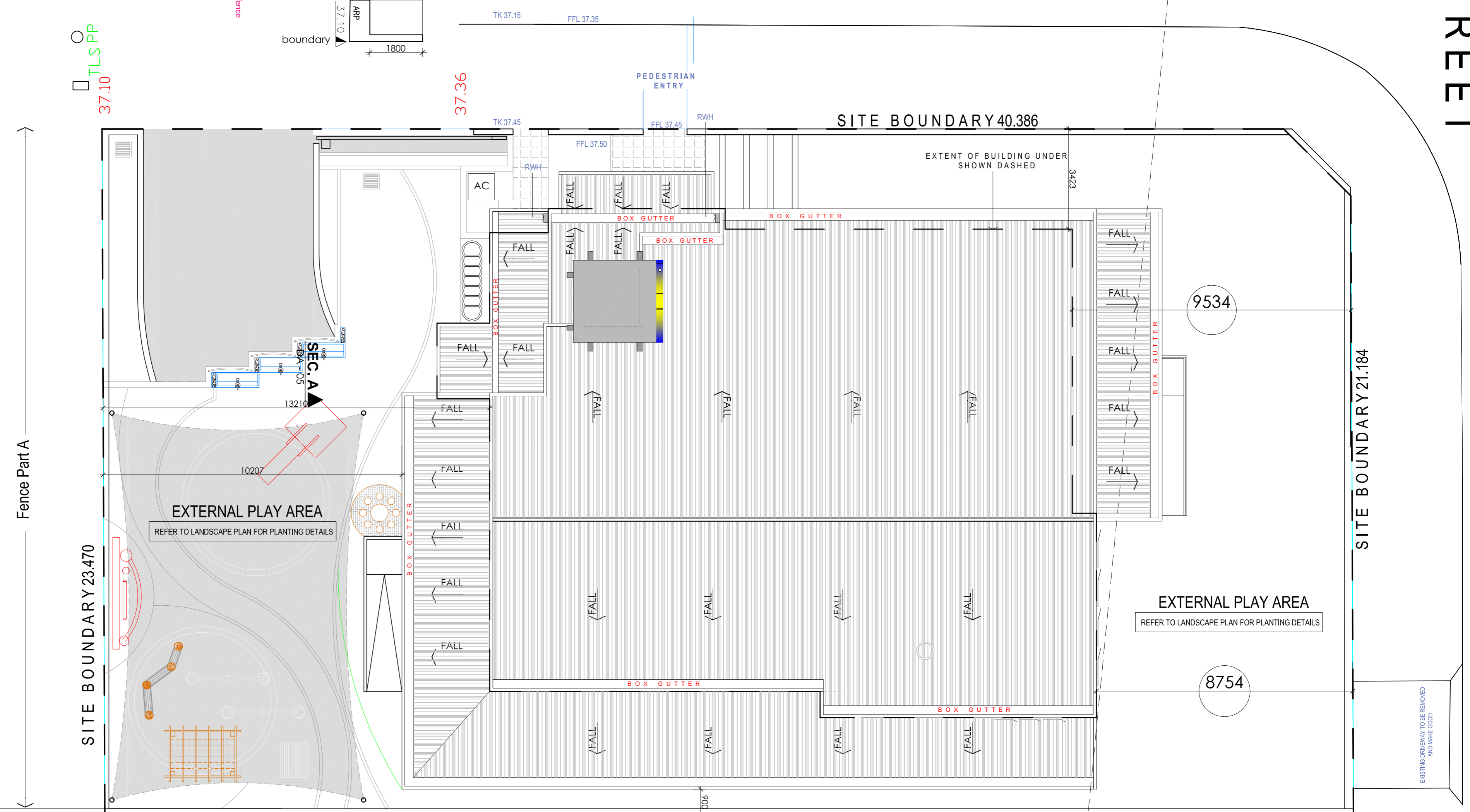


# KINGSGROVE STREET



# VIVIENNE STREET



## NOTES

Note: All work to comply with Building Code of Australia requirements of relevant Building Standards. Check all timber sizes with a Structural Engineer and have all Structural Steelwork & concrete work designed to install in accordance with the manufacturer's written instructions. **CHECK** all dimensions on site. If in doubt, contact us immediately.

## AMENDMENTS

REV	ISSUE	DATE	DRAWN
A	DA Lodgement	02/10/17	JS
B			

## PROJECT

**Child Care Centre**  
 301 KINGSGROVE RD KINGSGROVE  
 NSW 2208. LOT A. D.P. 3 4 0 3 9 1

## DRAWING ISSUED FOR: DA

### Details

CHECKED BY: JS CLIENT:

## FEB 2018

DRAWN: JS  
 TITLE: SPECS  
 SCALE 1:100

## DRAWING NO.

### DA - 11

REV: **B**