

PRINCIPAL CONTRACTOR NOTIFICATION

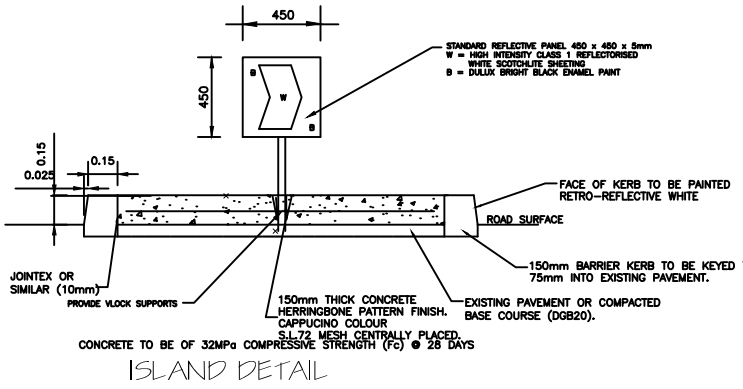
THE CONSTRUCTION WORK DEPICTED ON THESE PLANS HAVE BEEN ASSESSED AS HIGH RISK IN ACCORDANCE WITH WORK HEALTH AND SAFETY REGULATION 2011(WHS REG 2011) CHAPTER 6 CONSTRUCTION WORK (clause 201).

AS SUCH IT IS THE PRINCIPAL CONTRACTORS RESPONSIBILITY AS PER WHS REG 2011 CHAPTER 6 CONSTRUCTION WORK TO:

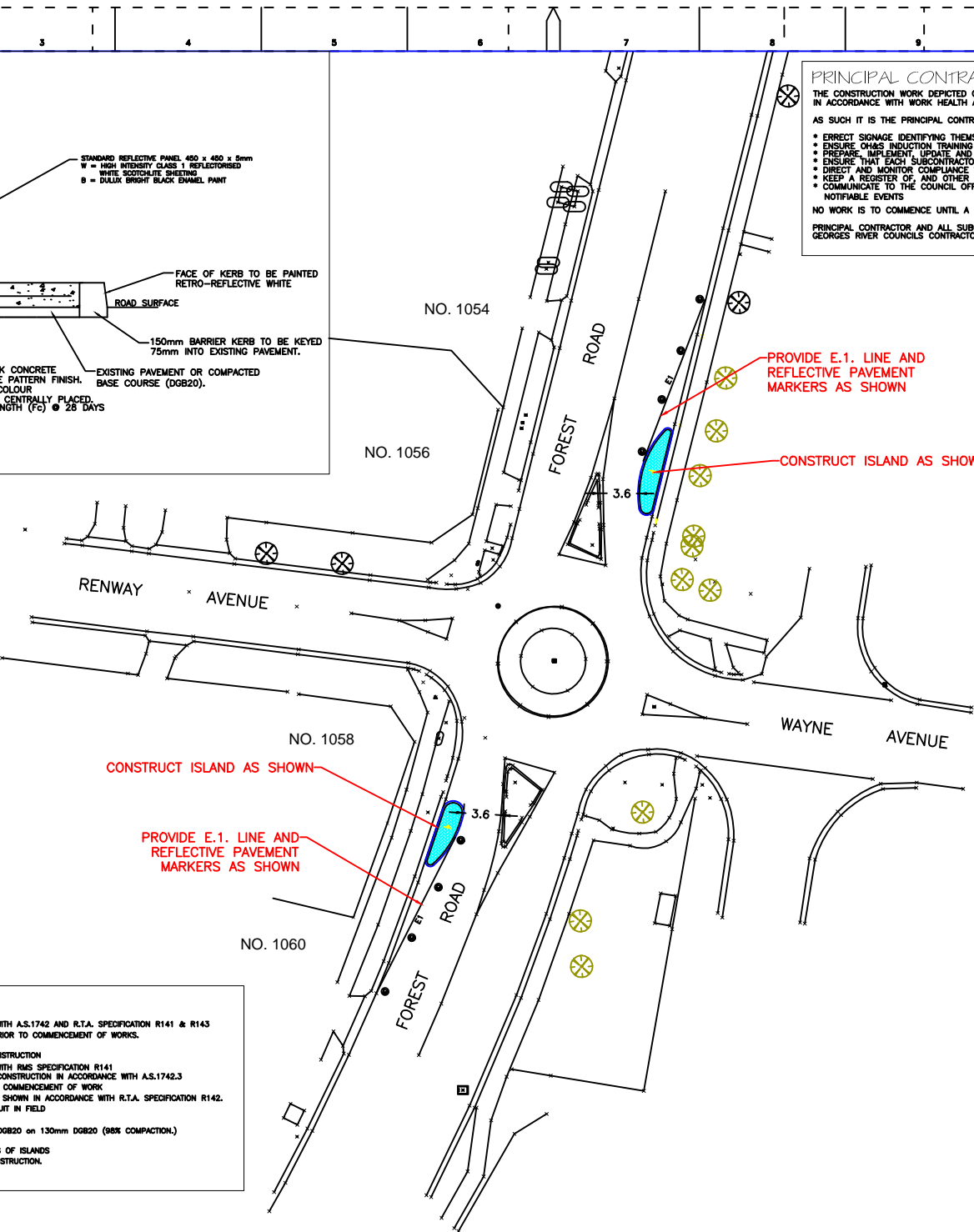
- ERRECT SIGNAGE IDENTIFYING THEMSELVES AS PRINCIPAL CONTRACTOR.
- ENSURE CHAS INDUCTION TRAINING IS TO BE UNDERTAKEN BY EMPLOYEES, AGENTS AND SUBCONTRACTORS ENTERING THE WORK SITE.
- PREPARE, IMPLEMENT, UPDATE AND MAKE AVAILABLE SAFE WORK METHOD STATEMENTS AND WHS MANAGEMENT PLANS.
- ENSURE THAT EACH SUBCONTRACTOR PROVIDES WRITTEN SAFE WORK METHOD STATEMENTS BEFORE COMMENCING WORK.
- DIRECT AND MONITOR COMPLIANCE WITH APPLICABLE LEGISLATION AND ANY SAFE WORK METHOD STATEMENTS OR PROCEDURES
- KEEP A REGISTER OF, AND OTHER RECORDS IN RELATION TO, ALL HAZARDOUS AND OTHER SUBSTANCES ON SITE.
- COMMUNICATE TO THE COUNCIL OFFICER SUPERVISING THE CONTRACT ANY MAJOR ISSUES AS THEY ARISE, INCLUDING WORKCOVER NOTIFIABLE EVENTS

NO WORK IS TO COMMENCE UNTIL A SITE SPECIFIC INDUCTION IS CARRIED OUT WITH THE COUNCIL OFFICER SUPERVISING THE CONTRACT.

PRINCIPAL CONTRACTOR AND ALL SUBCONTRACTORS ARE TO ADHERE TO THE RESPONSIBILITIES AND REQUIREMENTS SET OUT IN GEORGES RIVER COUNCILS CONTRACTOR SAFETY INDUCTION HANDBOOK.



ISLAND DETAIL



- CONSTRUCTION NOTES**
1. ALL PAVEMENT MARKING AND SIGNPOSTING TO BE IN ACCORDANCE WITH A.S.1742 AND R.T.A. SPECIFICATION R141 & R143
 2. PAVEMENT WORKS TO BE DETERMINED BY SUPERVISING ENGINEER PRIOR TO COMMENCEMENT OF WORKS.
 3. ALL LINE MARKING TO BE THERMOPLASTIC
 4. SEDIMENT CONTROL TO BE PROVIDED TO ALL PITS THROUGHOUT CONSTRUCTION
 5. FACE OF KERB TO BE PAINTED REFLECTIVE WHITE IN ACCORDANCE WITH RMS SPECIFICATION R141
 6. PROVIDE ADEQUATE APPROACH WARNING SIGNS DURING AND AFTER CONSTRUCTION IN ACCORDANCE WITH A.S.1742.3
 7. ALL SERVICES TO BE CHECKED FOR LEVEL AND LOCATION PRIOR TO COMMENCEMENT OF WORK
 8. PROVIDE RAISED REFLECTORISED PAVEMENT MARKERS (R.R.P.M.s) AS SHOWN IN ACCORDANCE WITH R.T.A. SPECIFICATION R142.
 9. ALL SERVICES AFFECTED BY NEW WORK ARE TO BE ADJUSTED TO SUIT IN FIELD
 10. ALL SIGNS ON ISLANDS TO HAVE VLOCK SUPPORTS.
 11. REINSTATE PAVEMENT ADJACENT TO KERB 40mm AC10 on 120mm DGB20 on 130mm DGB20 (98% COMPACTION.)
 12. SETOUT PROVIDED BY GEORGES RIVER COUNCIL.
 13. PROVIDE E1 LINES AND R.L.P.M.s (RED) AS SHOWN TO APPROACHES OF ISLANDS
 14. MAINTAIN SAFE PEDESTRIAN ACCESS AT ALL TIMES THROUGHOUT CONSTRUCTION.
 15. REMOVE ALL REDUNDANT LINEMARKINGS AND SIGN POSTINGS.



REVISION DETAILS		APPROVED	DATE
ROUNDABOUT MODIFICATIONS			
FOREST ROAD AND WAYNE AVENUE			
LUGARNO			
		CAUTION BEFORE EXCAVATION FOR LEGAL REASONS ALL SERVICE PLANS MUST BE ON SITE AT ALL TIMES DURING CONSTRUCTION. OBTAIN UPDATED SERVICE PLANS PRIOR TO COMMENCEMENT CALL "DIAL BEFORE YOU DIG" 1100	
		SURVEYED	BM AUG16
SEQUENCE No.		DESIGNED	AG AUG16
TRIM No.		CHECKED	
DATUM		APPROVED	
A.H.D.		SERVICE PLANS DATED	
SCALE AT A1		SCALE AT A3	
1 : 200		1 : 400	
FILE No.	DRG. No. U70B	SHT. 1 OF 1	REV.